

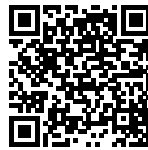
Sink Phantom Base Copper 30" x 18" (30mm thk)



Kitchen Sinks

Code: 5533 908

PVD Copper
AISI 304 Stainless steel
Foster brushed



DETAILS

Series Phantom Base

Coloring Copper

Finish PVD

Material AISI 304 stainless steel

Texture Foster brushed

Dimensions 32 ³/₈" x 20 ³/₈"

Standard fittings Drain
Boxed packing

Built-in hole View technical data sheet

Bowl dimension 30" x 18"

Number of bowls 1 bowl

Waste fitting 3,5" drain

FEATURES

COPPER The Copper finish is obtained by treating steel with a physical process called PVD (Physical Vacuum Deposition) which deposits particles of noble metals on the surface. The result is a unique and refined aesthetic effect, and an improvement of the mechanical properties of the steel which is more resistant to impact and scratches.

PHANTOM BASE 30 mm The Phantom BASE sink's bottoms are specifically engineered to be coupled with sinks made out of slabs. The perimetric trough makes for a simple and perfect installation. This version of Phantom BASE is meant for slabs of 30mm thickness.

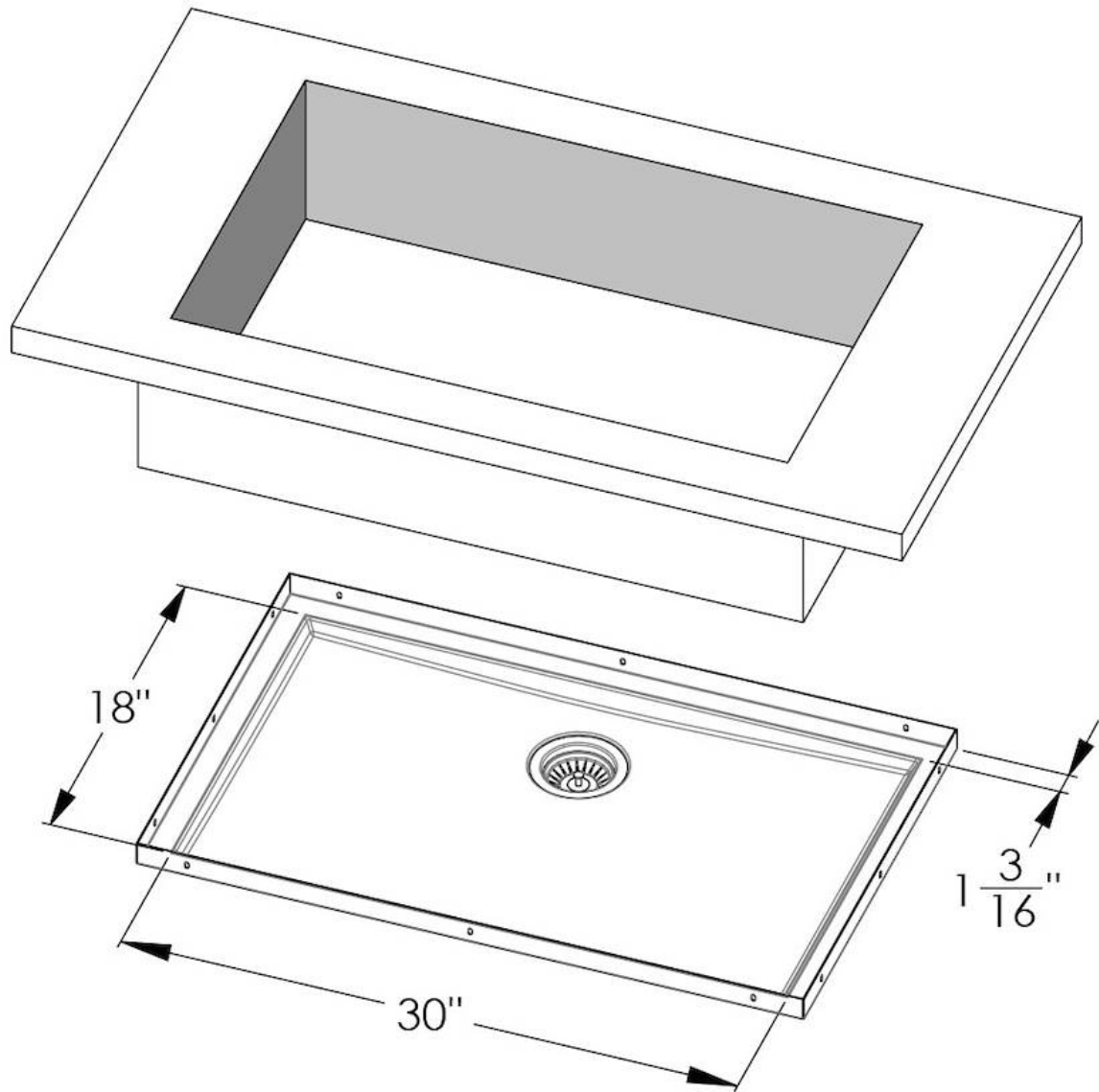
PHANTOM BASE WITHOUT WELDING The steel bottom Phantom BASE solves the problem of water draining of slab sinks, because the slope built into the moulded bottom ensures perfect draining. The radius and sloped profile of Phantom BASE guarantee great practicality and hygiene in everyday cleaning.

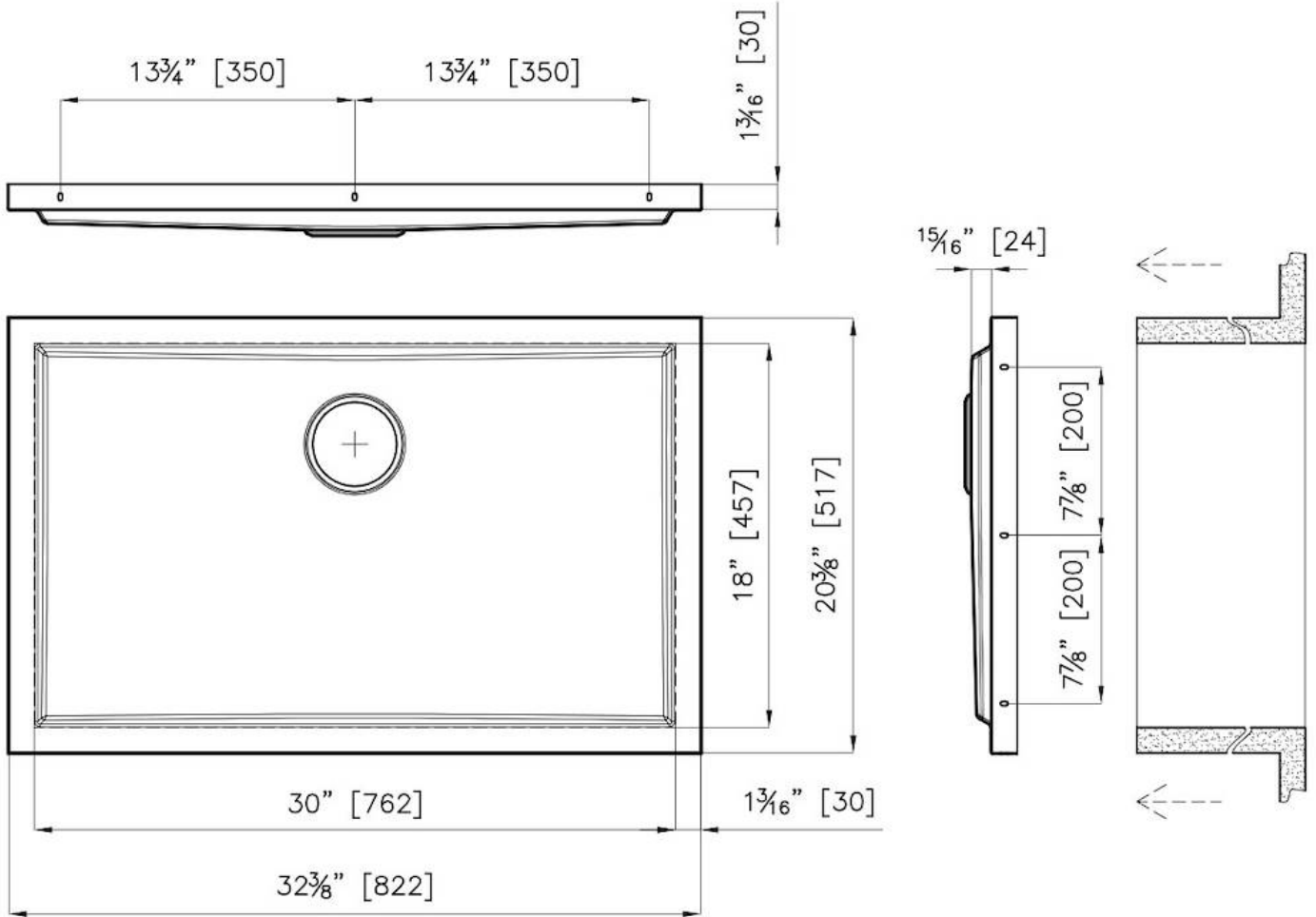
High thickness 1.5 mm thick steel. A significant thickness, which guarantees the maximum sturdiness and durability.

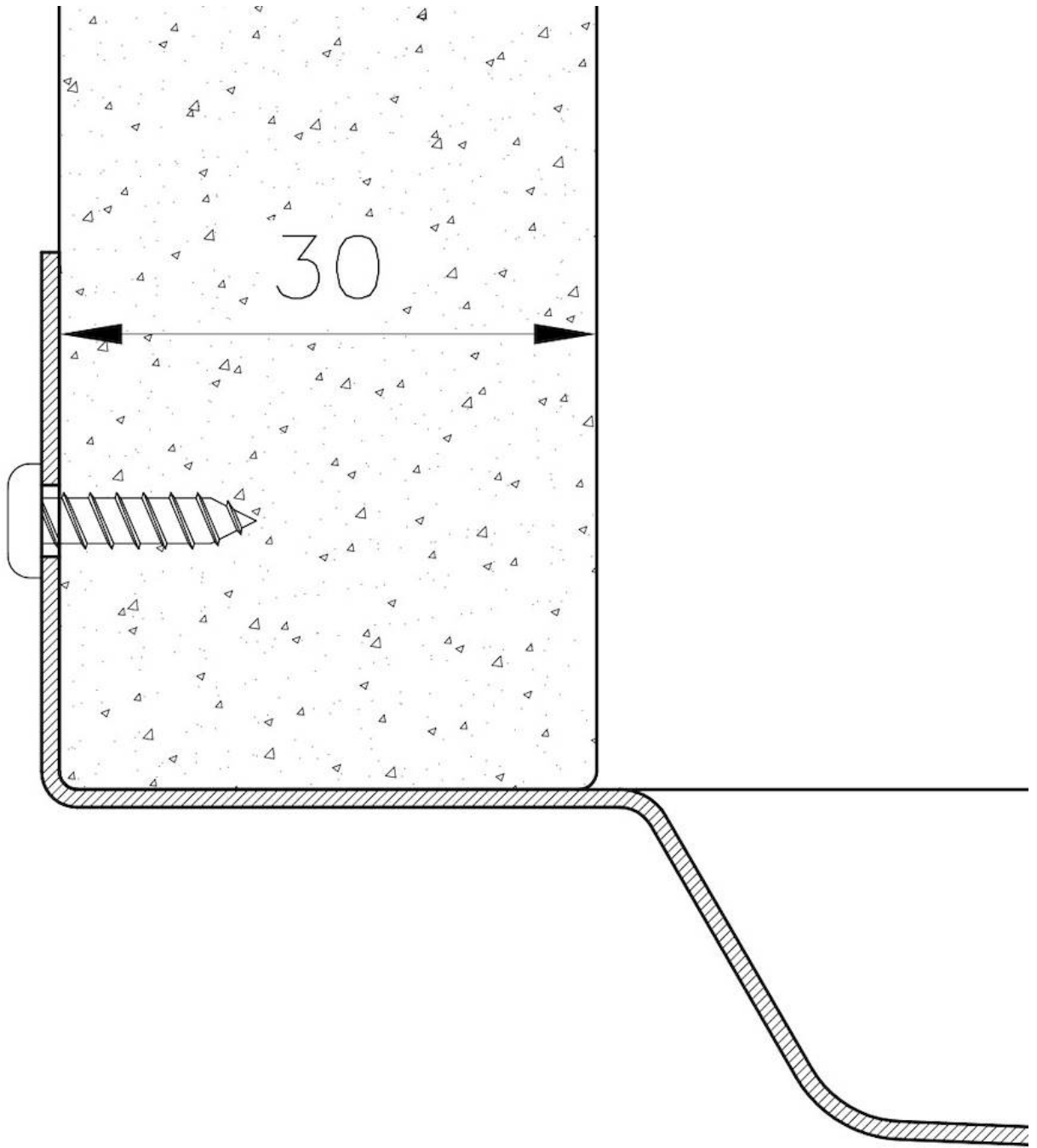
Small radius Bowls with squared shapes with a modern design and an increased capacity, for a minimal aesthetics connected with an extreme practicality.

Basket 3,5" waste fitting The drain is equipped with a large 3.5" drain, with the practical basket cap that prevents the discharge of solid parts.

TECHNICAL DATA







GALLERY



OPTIONAL ACCESSORIES



Black grid
8100 619



Chopping board
8644 034



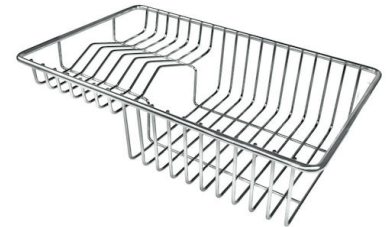
Stainless steel plate rack
8100 154
* only in combination with the accessory
8644 034



Stainless steel perforated pan
8154 000
* only in combination with the accessory
8644 034



Twin Chopping Board
8644 102



Stainless Steel dishes holder
8100 303
* only in combination with the accessory
8644 102



Stainless steel perforated pan
8151 000
* only in combination with the accessory
8644 102



Grating kit complete with ring support and food collection tray
8159 101
* only in combination with the accessory
8644 102



Waste disposer throat
8669 043

RECOMMENDED PAIRINGS



Faucet Capri
8467 005



Faucet Salina
8487 005



Milano Cooktop 4 burners inLine
7640 900



Milano Induction Cooktop 5 Plate
7390 945